



SH-CRT-8F/9F
TWO WAY WIRELESS
CURTAIN PIR MOTION DETECTOR



INSTRUCTION MANUAL
P/N 7102393_C

PRODUCT FEATURES

The SH-CRT is an advanced, fully supervised low-current wireless curtain motion detector that includes a FW2 transceiver for reliable system operation combined with the most advanced Mirror Optics detection method.

- GFSK with 5 frequencies & LBT
- Ultra Low current consumption
- Powered by a 3V Type CR123A Lithium battery
- Motion Detection up to 12 meters
- Battery life up to 5 years
- APS Mode feature
- Immunity to attenuation feature
- Operating Frequencies: 868MHz / 916MHz
- Event Transmission:
 - Alarm
 - Tamper Open/Close
 - Supervision
 - Battery status
- Bi-Color LED indications
- Up to 500m transmission range in open space
- Remotely configurable

DETECTOR OPENING

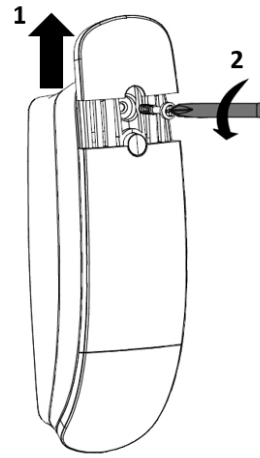


Figure 1

Pull up the screw cover
And unscrew the holding screw

BRACKET REMOVAL

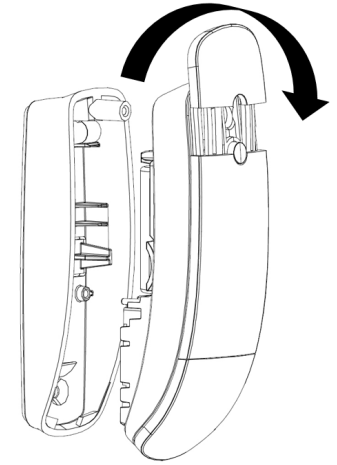


Figure 2

Tilt out the detector from its bracket

BATTERY INSERTION

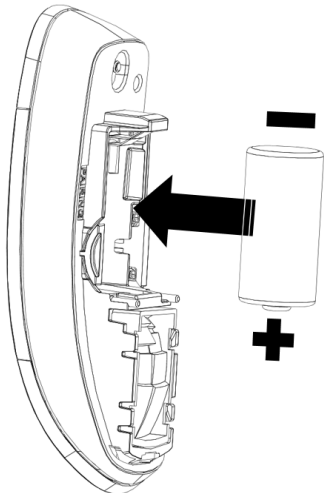
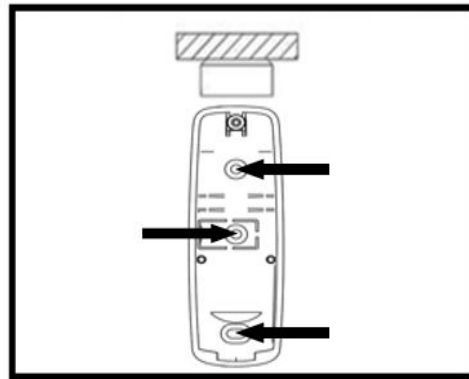


Figure 3

The battery can be replaced by the user
Battery type: 3V Type CR123A Lithium

DETECTOR MOUNTING

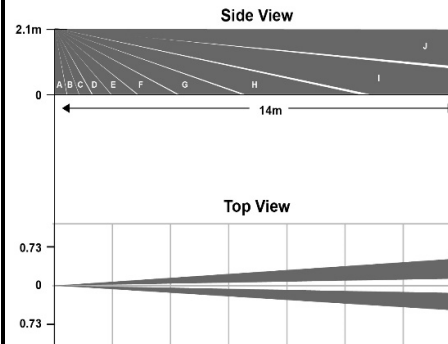


Direct flat on wall (Figure 4)

Avoid the following locations:

- Facing direct sunlight.
- Facing areas that may change temperature rapidly.
- Areas where there are air ducts or substantial airflows.

DETECTION COVERAGE



Recommended mounting height – 2.1m to 2.3m

This device detects or performs better when provided with a constant and stable environment.

PAIRING PROCESS

For pairing process, please refer to your control panel instructions.

To pair your device with Shepherd™ panel, please proceed as follows:

1. Enter in installing mode via the "Installer Webpage"
2. Go to "Zones" and select the zone # you want to learn
3. Add Zone -(Reminder: insert Link Type "ISM", device's ID, Device Type "Infrared motion detector".
4. Set the Curtain PIR settings and save configuration.
5. Place Battery as instructed in Figure 3..
6. Verify Green & Red are blinking alternately, then the LED will turn Green on for 3 sec. to indicate device learned successfully
7. The device should register to the Control Panel.
8. If Green LED continues flashing more than 5 minutes and stopped. Please check CRT PIR settings details, remove battery and repeat step 5,6

DETECTOR TESTING

After pairing and installing the detector, we recommend performing walk and transmission tests.

Motion Transmission Test

Walk crossing in front of the detector from one side to the other will cause motion alert transmissions. Verify receiving the indication on your control panel. Pay attention that due to APS feature it is required waiting 30 seconds between 2 consecutive indications.

Walk Test

- Activate walk test mode via Web Installer (in the overview level), for walk test institutions use Panel manual.
- Make few walk crossing in front of the detector and see results in Overview display

Tamper Transmission Test

Changing the tamper switch state (by attaching / removing the device to / from the Bracket) will cause tamper transmissions.

EVENT TRANSMISSION

SUPERVISION – A periodical transmission (configurable) indicating detector's presence.

ALARM – Alarm transmission triggered by the device indicating Motion detection. The Red LED will blink once.

LOW BAT – Whenever the battery reaches the low level (2.8V), a Battery Low signal will be sent. When Battery level drops below Cut Off level (2.6V) the device will stop functioning and the Red LED will blink for 10 seconds and then turned Off.

TAMPER – Whenever the cover is removed from Bracket or the device is tear off from the wall, a message will be transmitted with "Tamper ON" signal. When cover will be returned a "Tamper OFF" signal will be transmitted.

BATTERY REPLACEMENT

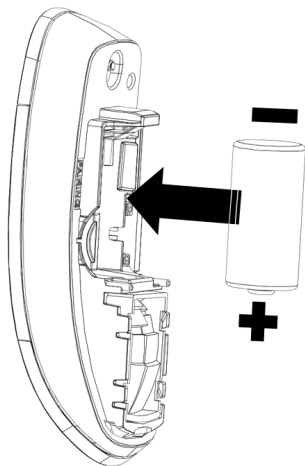


Figure 5

The battery must be replaced by 3V Lithium

- Models such as**
1. VARTA CR123A
 2. GP CR123A

CAUTION

**RISK OF EXPLOSION
IF BATTERY IS REPLACED BY DIFFERENT TYPE / MODEL.**

**DISPOSE USED BATTERY
ACCORDING TO ITS INSTRUCTIONS**

SPECIFICATION

Detection Method	PYRO Element
Communication Protocol	Freewave2™ Two Way ISM GFSK with 5 frequencies & LBT
Operating Frequencies	868-869MHz / 916-917MHz
Identification	Unique ID serial number – 24 bit
Events Transmission	Alarm, Tamper, Supervision, Low Bat, Keep Alive.
Supervision Time	7 min by default (configurable between 1 to 30 min)
Transmission Range	500m in open space
Battery	3V Type CR123A Lithium
Battery life	Up to 5 years
Current Consumptions	Standby ~11 µA Receive mode ~24 mA Transmit mode ~45 mA Transmit power <14dBm Low Bat 2.8V Cut Off 2.6V
Tamper Switch	Front Cover Removal
Operating temperature	-10°C to +55°C
Dimensions	103mm x 31mm x 35mm
Weight (incl. battery)	110 gr.

STANDARDS APPROVALS

The SH-CRT conforms to the essential requirements set out by:

- RTTE directive:1999/5/EC
- EMC directive: 2004/108/EC
- Low Voltage directive: 2006/95/EC

Harmonized Standards applicable to this products are:

- EN 50130-4
- EN 61000-6-3
- EN 301 489-1
- EN 301 489-3
- EN 300 220-1
- EN 300 220-2
- EN 60950-1

Additional Standards and Directives applicable to this product are:

- EN 50131-1
- EN 50131-2-2
- EN 50131-6
- EN 50131-5-3
- EN 50130-5

Security Grade2, Environmental Class II
Power supply Type C
Certification body: Telefication B.V.



WARRANTY POLICY CERTIFICATE

Crow warrants these products to be free from defects in materials and workmanship under normal use and service for a period of 24 months from the last day of the week and year whose numbers are printed on the printed circuit board inside these products.

Subject to the provisions of this Warranty Certificate, during the Warranty Period, Crow undertakes, at its sole discretion and subject to Crow's procedures, as such procedures are from time to time, to repair or replace, free of charge for materials and/or labor, products proved to be defective in materials or workmanship under normal use and service. Repaired products shall be warranted for the remainder of the original Warranty Period. All transportation costs and in-transit risk of loss or damage related, directly or indirectly, to products returned to Crow for repair or replacement shall be borne solely by the Purchaser.

This Warranty Certificate does not cover products that is defective (or shall become defective) due to: (a) alteration of the products (or any part thereof) by anyone other than Crow; (b) accident, abuse, negligence, or improper maintenance; (c) failure caused by a product which Crow did not provide; (d) failure caused by software or hardware which Crow did not provide; (e) use or storage other than in accordance with Crow's specified operating and storage instructions. There are no warranties, expressed or implied, of merchantability or fitness of the products for a particular purpose or otherwise, which extend beyond the description on the face hereof.

This limited Warranty Certificate is the Purchaser's sole and exclusive remedy against Crow and Crow's sole and exclusive liability toward the Purchaser in connection with the products, including without limitation - for defects or malfunctions of the products. This Warranty Certificate replaces all other warranties and liabilities, whether oral, written, (non-mandatory) statutory, contractual, in tort or otherwise.

In no case shall Crow be liable to anyone for any consequential or incidental damages (inclusive of loss of profit, and whether occasioned by negligence of the Crow or any third party on its behalf) for breach of this or any other warranty, expressed or implied, or upon any other basis of liability whatsoever. Crow does not represent that these products can not be compromised or circumvented; that these products will prevent any person injury or property loss or damage by burglary, robbery, fire or otherwise; or that these products will in all cases provide adequate warning or protection.

Purchaser understands that a properly installed and maintained product may in some cases reduce the risk of burglary, fire, robbery or other events occurring without providing an alarm, but it is not insurance or a guarantee that such will not occur or that there will be no personal injury or property loss or damage as a result. Consequently, Crow shall have no liability for any personal injury; property damage or any other loss based on claim that these products failed to give any warning. If Crow is held liable, whether directly or indirectly, for any loss or damage with regards to these products, regardless of cause or origin, Crow's maximum liability shall not in any case exceed the purchase price of these products, which shall be the complete and exclusive remedy against Crow.



sales@crow.co.il
support@crow.co.il

www.thecrowgroup.com

These instructions supersede all previous issues in circulation prior to December 2017